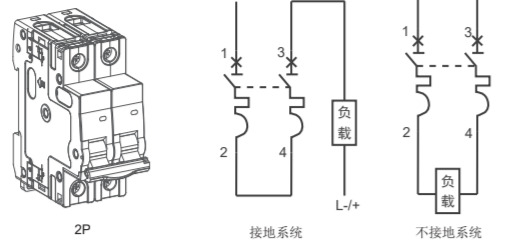


ExBP E塑料外壳式断路器 接线 Wiring

ExBP E Series Moulded-Case Circuit Breaker

2P:

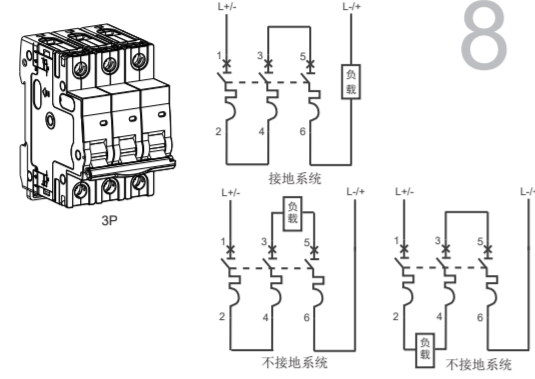


7

ExBP E塑料外壳式断路器 接线 Wiring

ExBP E Series Moulded-Case Circuit Breaker

3P:

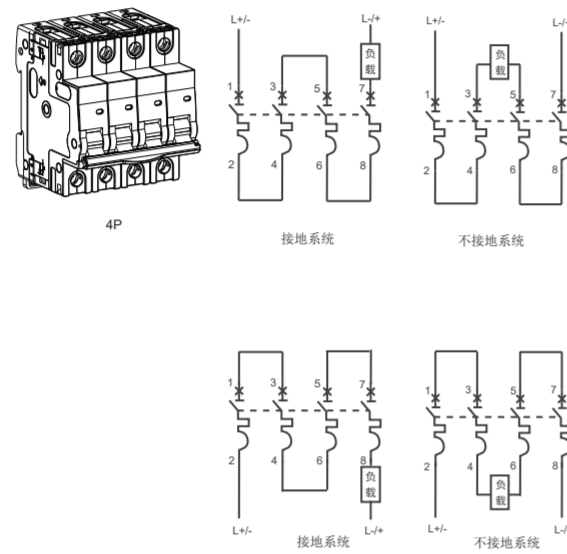


8

ExBP E塑料外壳式断路器 接线 Wiring

ExBP E Series Moulded-Case Circuit Breaker

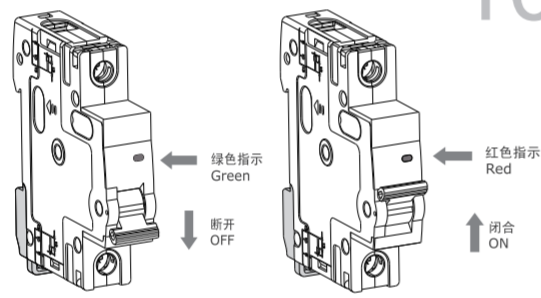
4P:



9

ExBP E塑料外壳式断路器 指示 Indication

ExBP E Series Moulded-Case Circuit Breaker



10

环境保护
 为了保护环境，本产品或其中的部件报废时，请按工业废弃物妥善处理；或由回收处理站按照国家标准进行分类拆解、回收再利用等。
 In order to protect the environment, when the product or its components are scrapped, please dispose of it as industrial waste or hand it over to the recycling station for disaggregation, recycling and reuse according to relevant national regulations.

上海诺雅克电气有限公司
 NOARK Electrics (Shanghai) Co., Ltd.
 地址：上海市松江区思贤路3857号
 Add: No.3857 Sixian Rd, Songjiang District, Shanghai
 电话/Tel: 021-37791111

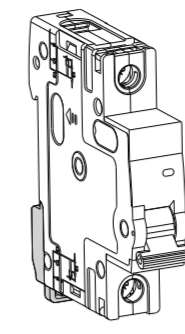
采用环保纸印刷
 Printed with environmental-friendly paper

本说明书解释权归NOARK所有。
 The expression right of the instructions are owned by NOARK

客服热线/ Customer Service Hotline: 400-1092-111
 ZBPE202310CN

ExBP E塑料外壳式断路器

ExBP E Series Moulded-Case Circuit Breaker



1

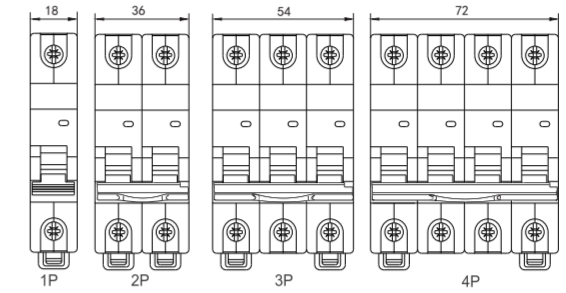
未按本说明书要求操作造成的不良后果，制造商不承担责任。
 The manufacturer assumes no responsibility for unfavourable consequence resulting from the non-application or incorrect application of the instructions provided herein.

NOARK 诺雅克

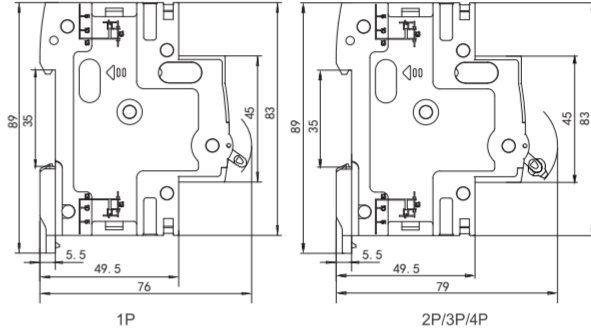
ExBP E塑料外壳式断路器 外形尺寸 Dimension

ExBP E Series Moulded-Case Circuit Breaker

mm



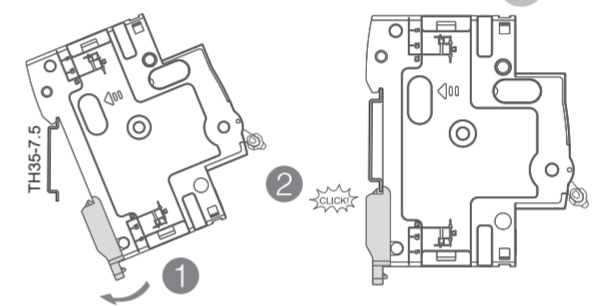
2



ExBP E塑料外壳式断路器 安装步骤 Installation

ExBP E Series Moulded-Case Circuit Breaker

安装步骤 Installation

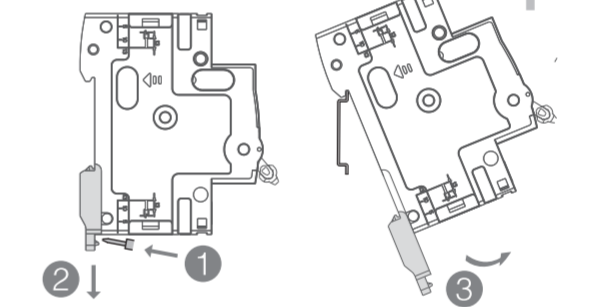


3

ExBP E塑料外壳式断路器 拆卸步骤 Disassemble

ExBP E Series Moulded-Case Circuit Breaker

拆卸步骤 Disassemble



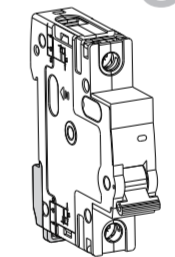
4

ExBP E塑料外壳式断路器 接线 Wiring

ExBP E Series Moulded-Case Circuit Breaker

5

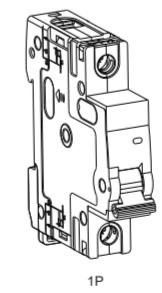
接线工具 Connection tool		
接线能力(mm ²) Wiring capacity		1-35
拧紧力矩(Nm) Tightening torque		2.5-3.5



ExBP E塑料外壳式断路器 接线 Wiring

ExBP E Series Moulded-Case Circuit Breaker

1P:



6